

Valve Box/ Meter Box

Safe Valve Guard



Valve Box



Features & Benefits

Robust Top Cover
Robust top cover with non-slippery grips



Heavy Duty Extended Bottom
Heavy duty extended bottom keeps the valve box stable and firmly set in the soil



Precise Passage for Access
Precise Passage provides convenient access to valves installed below ground level



Three Optional Models
Available in circular and rectangular models



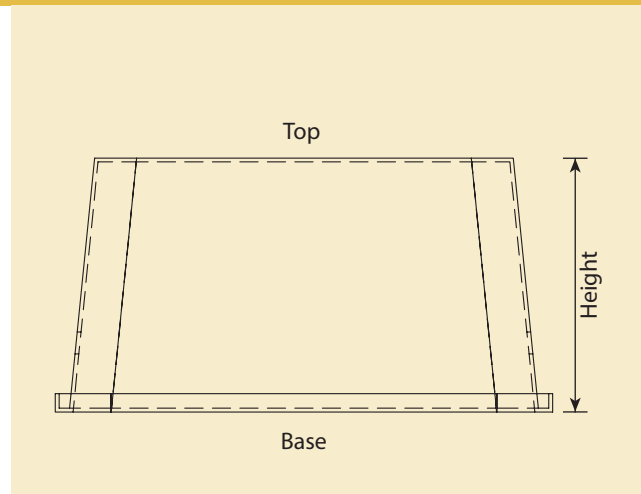
Valve Box/ Meter Box

Additional Features

- Rugged reinforced plastic construction.
- Protects valves from damage due to lawn mowers, other garden equipment and vandalism.
- Leaf green colour of the cover matches to surrounding lawn/ turf.
- Special heavy duty models available.
- Meter Protection box can also be supplied on demand

Application

Valve / Meter guard in Turf / Landscaping and in micro irrigation systems



Technical Specifications

Code	Lock	Pipe Access Hole		Dimensions							
				Top		Lid		Base		Height	
		mm	inch	mm	inch	mm	inch	mm	inch	mm	inch
VB06R	Snap Fit	65	2½"	153	6"	140	5½"	200	8"	240	9½"
VB10R	Snap Fit	65	2½"	250	10"	274	10¾"	347	13½"	250	10"
VB09R	Lockable	50	2"	230	9"	230	9"	325	13"	250	10"
VB12H	Snap Fit & Lockable	65	2½"	405x 275	16.0"x 10.8"	405x 275	16.0"x 10.8"	525x 393	20.7x 15.5"	325	12"
VB20H	Snap Fit			365x535	14.4"x21.1"	365x535	14.4"x21.1"	491x646	193x254	330	13"
JIVB12R	Snap Fit			538x358	21.1"x14.1"	400x225	15.7"x8.9"	538x358	21.1"x14.1"	285	11.2"



JAIN VALVE