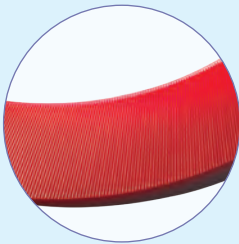


Disclean® ML Y

Convergent Grooved Disc Filtration



Features & Benefits



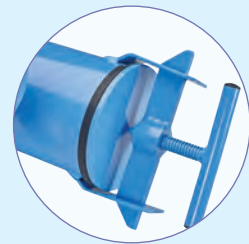
Radially Convergent Grooved Discs

Disclean® element with strong, precision engineered and radially grooved disc to provide fine three dimensional filtration. (Flow direction Out to In).



Straight Inlet & Outlet

'Y' shaped body keeps inlet & outlet in one line



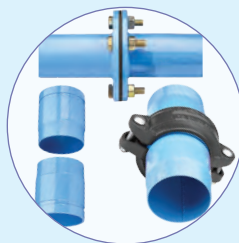
Easy for Maintenance

Strong and smooth opening and closing for cleaning screen element



Standard Pure Polyester / Epoxy coating for Protecting from Corrosion

Coated up to 150 micron thick deep blue colored pure Polyester powder on outer surface & Epoxy coating from inner side for protection against corrosion and weather effects



Various Connection Options Available

Threaded connection, Flanged (universal) connection or Easy Fix™ connection available



Draining Facility Available

Drain valve position on upper & lower sides of the body provides installation flexibility

Disclean® ML Y – Gold

Additional Features

- Mild steel construction.
- Disc element construction allows easy cleaning under flowing water.
- Available in standard mesh of 100 micron size. (other mesh sizes available On demand).
- Flow direction from outside of the filtering element to inside. (Out to In)
- Maximum operating pressure 10 kg/cm² (142 psi).
- On demand, Disclean - ML can also be supplied with automatic flushing option.
- Disclean - ML filter can also be supplied with stainless steel body.
- Can be supplied in multiple batteries option.

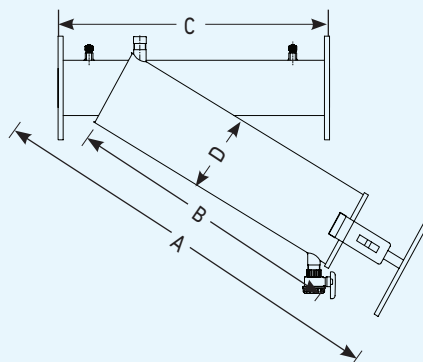
Applications

- Efficiently prevents the irrigation system from clogging due to physical and organic impurities.

Specifications

Nominal Flow Rate		Inlet/Outlet Connection	Screen Surface Area	Gross Weight	
m ³ /hr	gpm	inch	m ²	kg	lbs
25	95	2"	0.095	16.2	35.6
40	114	2½"	0.138	21.4	47.1
50	189	3"	0.166	24.0	52.8
60	227	4"	0.198	29.8	65.6

Dimensional Specifications



Nominal Flow Rate		Inlet/Outlet Connection	A	B	C	D
m ³ /hr	gpm	inch	mm	mm	mm	mm
25	95	2"	595	292	530	165
40	114	2½"	722	417	600	165
50	189	3"	805	500	600	165
60	227	4"	897	592	600	165

Clean Pressure Drop Chart

Size inch	Flow m ³ /hr	K	m	Pressure Drop(kg/cm ²) w.r.t. Flow (m ³ /hr)															
				10	20	25	30	40	50	60	70	80	90	100	120	140	150	160	
2	25	0.034	0.06	0.06	0.11	0.15	0.2	0.36	0.66	1.2	2.17								
2½	40	0.035	0.042	0.05	0.08	0.1	0.12	0.19	0.29	0.44	0.67	1.02	1.55	2.36					
3	50	0.033	0.033	0.05	0.07	0.08	0.09	0.13	0.18	0.25	0.34	0.48	0.67	0.94	1.82				
4	60	0.01	0.039	0.01	0.02	0.03	0.03	0.05	0.07	0.1	0.15	0.22	0.33	0.49	1.07	2.35	3.48	5.15	

Governing equation, $h = k e^{m \chi}$; h = Pressure drop (kg/cm²); χ = Flow rate (m³/hr); K = Pressure drop constant; m = Flow constant (for k & m value refer table). Note: Filters are tested under standard laboratory test conditions.

Ordering Specifications

DC	X	X	XX
	Type	Material	Flow (m ³ /hr)
Y - 'Y' Type	M-Mild Steel S-Stainless Steel		25
			40
			50
			60

Example: DCYM25 - This code represents Disclean® - ML Deluxe filter of 25 m³/hr flow 'L' type with mild steel construction.

Note:

- For automatic flushing change above code as DCYM25A instead of DCYM25.
- Disclean - ML Deluxe Filter of any other flow capacity or end connections can be supplied On demand.

