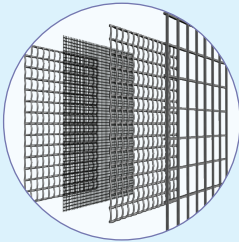


SmartClean - SA

Smart Clean Filter



Features & Benefits



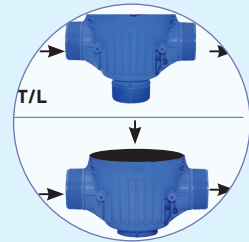
Unique Smart Clean Element

Unique 'Smart-Clean' element, assures high performance and effective filtration. (Flow direction Out to In)



Easy for Maintenance

Strong and smooth opening, drip-tight SS clamp closure



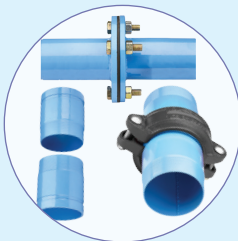
Angular or Straight Outlet Option Available

Optional two outlet positions facilitates installation in angular or straight fashion (2" onwards)



Self-Suction Cleaning Mechanism

Cleaning of the filter is carried out by the suction smart scanner which rotates spirally across the screen



Various Connection Options Available

Threaded connection, Flanged (universal) connection or Easy Fix™ connection available.



Draining Facility Available

Additional Drain Valve provided to remove dirt from filter

SmartClean – SA

Additional Features

- Excellent chemical and weather resistance.
- Ribbed body construction, designed to withstand water hammer and surges in the pipe line.
- Maximum operating pressure 8 kg/cm² (113.6 psi).
- Available in standard filtration of 100 micron. (Other mesh sizes are available On demand)
- Available in 2", 2 ½" and 3" inlet & outlet and flow rates of 25, 40 and 50 m³/hr (114, 151 and 189 gpm) respectively.
- Optional Spin-Screen option can be provided to create vortex filter within the filter as an effect of which dirt particles are kept away from the filtering element. It helps to prolong the frequent cleaning of the filter. Please specify while spacing the orders.
- On demand, Jain Super Flow Plus can also be supplied with automatic flushing arrangement (2" onwards).

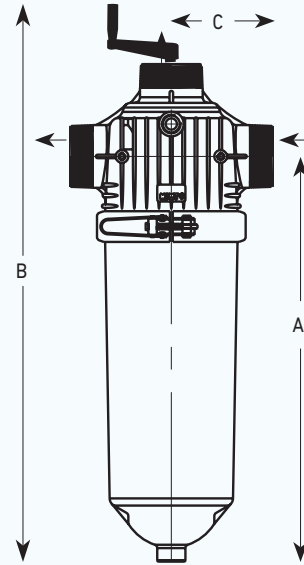
Applications

- Used for water filtration of drip & landscape irrigation system.

Technical Specifications

Nominal Flow Rate		Inlet/Outlet Connection	Filtration Surface Area	Gross Weight	
m ³ /hr	gpm	inch	m ²	kg	lbs
25	95	2"	0.126	6.25	13.8
40	151	2 ½"	0.126	6.45	14.2
50	189	3"	0.166	7.65	16.8

Dimensional Specifications



Nominal Flow Rate		A	B	C
m ³ /hr	gpm	mm	mm	mm
25	95	460	557	135
40	151	460	557	140
50	189	579	687	145

Clean Pressure Drop Chart

Size	Flow	K	m	Pressure Drop (kg/cm ²) w.r.t. Flow (m ³ /hr)														
				1	2	3	5	7	10	12	15	20	25	30	40	50	60	80
2"	25	0.061	0.042	-	-	-	-	0.08	0.09	0.1	0.11	0.14	0.17	0.22	0.33	0.5	0.76	1.77
2 ½"	40	0.015	0.056	-	-	-	-	-	-	-	-	0.05	0.06	0.08	0.14	0.25	0.43	1.32
3"	50	0.028	0.04	-	-	-	-	-	-	-	-	-	0.08	0.09	0.14	0.21	0.31	0.68

Governing equation, $h = k e^{m \chi}$; h = Pressure drop (kg/cm²); χ = Flow rate (m³/hr); K = Pressure drop constant; m = Flow constant (for k & m value refer table).

Note: Filters are tested under standard laboratory test conditions.

Ordering Specifications

JSSISAF	XX
	Flow (m ³ /hr)
	25; 40; 50

Example: JSSISAF50 - This code represents SmartClean - SA filter of 50 m³/hr flow capacity.